



02 9452-3566

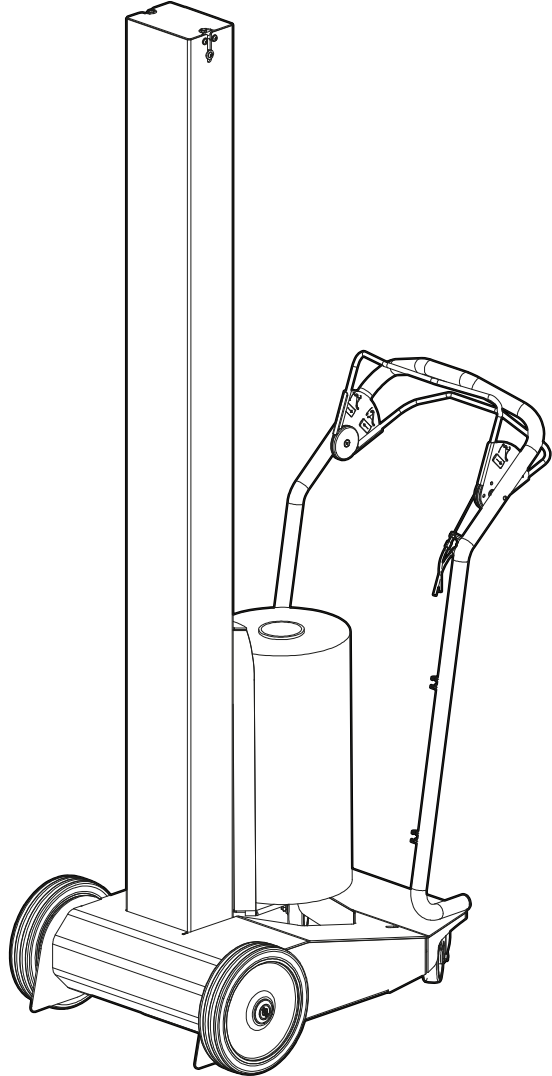
sales@getpacked.com.au

Mobile Wrapper

MARATHON

Use and Maintenance Manual

Translation of the original



Rev.0 24/10/2019

1	FOREWORD	3
1.1	HOW TO READ AND USE THE INSTRUCTIONS MANUAL.....	3
1.1.1	THE IMPORTANCE OF THE MANUAL.....	3
1.1.2	SAFE KEEPING THE MANUAL.....	3
1.1.3	CONSULTING THE MANUAL.....	3
1.1.4	COPYRIGHT.....	4
1.1.5	INFORMATION ON THE IMAGES AND CONTENTS.....	4
1.1.6	UPDATE OF THE INSTRUCTION MANUAL.....	4
1.1.7	SYMBOLS - MEANING AND USE.....	5
1.2	WHO THE MANUAL IS FOR.....	6
2	SAFETY	7
2.1	GENERAL SAFETY INSTRUCTIONS.....	7
2.2	SAFETY SIGNS.....	8
2.3	WARNINGS OF RESIDUAL RISKS.....	10
2.4	SAFETY DEVICES.....	10
2.5	PERSONAL PROTECTIVE EQUIPMENT (PPE).....	12
2.6	TECHNICAL ASSISTANCE.....	12
3	MACHINE DESCRIPTION	13
3.1	MANUFACTURER AND MACHINE IDENTIFICATION DATA.....	13
3.2	GENERAL DESCRIPTION.....	14
3.3	ROLL-HOLDER CARRIAGE.....	15
3.4	INTENDED USE - PROPER USE - PURPOSE.....	16
3.5	UNINTENDED AND UNAUTHORISED USE - FORESEEABLE AND UNFORESEEABLE IMPROPER USE.....	17
3.6	TECHNICAL DATA AND NOISE.....	18
3.7	WORK AND CONTROL STATIONS.....	19
3.7.1	MAIN WORK STATION.....	19
3.7.2	HUMAN-MACHINE INTERFACE.....	19
3.7.3	WORK AREAS.....	20

4	TRANSPORT-HANDLING-STORAGE	22
4.1	PACKING AND UNPACKING.....	22
4.2	TRANSPORTING AND HANDLING THE PACKED MACHINE	23
4.3	STORAGE OF PACKED AND UNPACKED MACHINE.....	24
5	INSTALLATION	25
5.1	PERMITTED AMBIENT CONDITIONS	25
5.2	POSITIONING THE MACHINE	25
5.2.1	STANDARD MACHINE.....	25
5.3	ASSEMBLY OF MACHINERY	26
6	STARTING UP THE MACHINE	27
6.1	MACHINE CONTROLS	27
6.2	INSTRUCTIONS FOR USE	28
6.2.1	LOADING A ROLL OF FILM.....	28
6.2.2	MACHINE USE.....	29
6.2.3	ADJUSTMENTS.....	30
6.2.4	PARKING BRAKE	31
7	MAINTENANCE	32
7.1	GENERAL PRECAUTIONS	32
7.1.1	SPECIAL PRECAUTIONS.....	33
7.1.2	CLEANING.....	33
7.2	SCHEDULED MAINTENANCE	34
7.2.1	DAILY MAINTENANCE	34
7.2.2	SIX-MONTHLY MAINTENANCE.....	35
7.2.2.1	CHECKING TENSION OF VERTICAL CHAINS	35
7.2.2.2	CHECKING DRIVE WHEEL TENSION.....	35
7.2.3	ANNUAL OPERATIONS.....	36
7.2.3.1	GREASING COLUMN WALLS	36

8	TROUBLESHOOTING	37
8.1	PERSONNEL AUTHORISED FOR TROUBLESHOOTING.....	37
8.2	SUMMARY TABLE OF FAILURES, TROUBLESHOOTING AND SOLUTIONS	37
8.3	RESET OPERATIONS.....	37
9	OUT OF SERVICE	39
9.1	DISMANTLING, SCRAPPING AND DISPOSAL.....	39

IT DICHIARAZIONE CE DI CONFORMITA'	RU CE ДЕКЛАРАЦИЯ О СООТВЕТСТВИИ	SE EG-FÖRSÄKRAN OM ÖVERENSSTÄMMELSE
EN EC DECLARATION OF CONFORMITY	HU EK MEGFELELÉSI NYILATKOZAT	NL EG-VERKLARING VAN OVEREENSTEMMING
DE EG-KONFORMITÄTSEKLRÄRUNG	PL DEKLARACJA ZGODNOŚCI WE	CZ ES PROHLÁŠENÍ O SHODÉ CONFORMIDADE
FR DECLARATION DE CONFORMITE CE	DA EF-OVERENSSTEMMELSESEKLRERING	FI EY-VAATIMUSTENMUKAISUUSVAKUUTUS
ES DECLARACIÓN DE CONFORMIDAD CE		PT DECLARAÇÃO CE DE CONFORMIDADE

IT IL FABBRICANTE E PERSONA AUTORIZZATA A COSTITUIRE IL FASCICOLO TECNICO:	RU ИЗГОТОВИТЕЛЬ И ЛИЦО, УПОЛНОМОЧЕННОЕ СОСТАВИТЬ ТЕХНИЧЕСКУЮ ДОКУМЕНТАЦИЮ:	SE TILLVERKAREN OCH PERSON SOM ÄR BEHÖRIG ATT SAMMANSTÄLLA DEN TEKNISKA DOKUMENTATIONEN:
EN THE MANUFACTURER AND AUTHORISED PERSON TO COMPILE THE TECHNICAL FILE:	HU A MŰSZAKI DOKUMENTÁCIÓ ÖSSZEÁLLÍTÁSÁVAL MEGBIZOTT SZEMÉLY:	NL DE FABRIKANT EN PERSOON DIE GEAUTORISEERD IS OM HET TECHNISCH DOSSIER OP TE STELLEN:
DE DER HERSTELLER IST DIE ZUR ERSTELLUNG DER TECHNISCHEN UNTERLAGEN BEFUGTE PERSON:	PL PRODUCENT I OSOBA UPWAŻNIIONA DO PRZYGOTOWANIA DOKUMENTACJI TECHNICZNEJ:	CZ VÝROBCE A OSOBA OPRAVNĚNÁ K SESTAVENÍ TECHNICKÉHO SOUBORU:
FR LE FABRICANT ET LA PERSONNE AUTORISÉE À CONSTITUER LE DOSSIER TECHNIQUE:	DK PRODUCENTEN ER AUTORISERET TIL AT UDFØRE DEN TEKNISKE DOKUMENTATION:	FI VALMISTAJA JA TEKNISEN TIEDOTTEEN LAADINTAAN VALTUUTETTU HENKILO:
ES EL FABRICANTE Y LA PERSONA AUTORIZADA PARA ELABORAR EL INFORME TÉCNICO:		PT O FABRICANTE E PESSOA AUTORIZADA A CONSTITUIR FASCICULO TÉCNICO:

ATLANTA STRETCH Spa, via Torriane, 58 - 47824 POGGIO TORRIANA (RN) - ITALY

IT DICHIARA SOTTO LA PROPRIA RESPONSABILITÀ CHE LA MACCHINA IDENTIFICATA	RU ЗАЯВЛЯЕТ, ЧТО ОБМОТЧИК СООТВЕТСТВУЕТ ТРЕБОВАНИЯМ	SE FÖRSÄKRAR HÄRMED ATT MASKINEN MED FÖLJANDE EGENSKAPER
EN DECLARES ON HIS OWN RESPONSIBILITY THAT THE MACHINE IDENTIFIED AS FOLLOW	HU SAJÁT FELELŐSÉGÉRE KIJELENTI, HOGY AZ ALÁBBIK SZERINT AZONOSÍTOTT	NL VERKLAART VOOR EIGEN VERANTWOORDELIJKHEID, DAT DE GEÏDENTIFICEERDE MACHINE
DE ERKLÄRT UNTER EIGENER VERANTWORTUNG DASS DIE MACHINE IDENTIFIZIERTE MASCHINE	PL OŚWIADCZA NA WLASNĄ ODPOWIEDZIALNOŚĆ IZ OZNACZONA MASZYNA GEP	CZ PROHLÁŠUJI NA SVOU ZODPOVĚDNOST ŽE STROJ S NÁSLEDUJÍCÍM OZNAČENÍM
FR DECLARE SOUS SA RESPONSABILITE QUE LA MACHINE IDENTIFIEE	DK ERKLÆRER PÅ EGET ANSVAR, AT MASKINEN IDENTIFICERET SOM	FI VAKUUTTAA OMALLA VASTUULLAAN, ETTÄ ILMOITETTU LAITE
ES DECLARA BAJO SU RESPONSABILIDAD QUE LA MÁQUINA IDENTIFICADA		PT DECLARA SOB SUA PRÓPRIA RESPONSABILIDADE QUE A MÁQUINA IDENTIFICADA

IT TIPO: AVVOLGITORE	RU ТИП: ОБМОТЧИК	SE TYP: STRÄCKFILMSMASKIN
EN TYPE: WRAPPING MACHINE	HU TÍPUS:TEKERCELŐ	NL TYPE: BANDEROLEUSE
DE TYP: WICKELMASCHINE	PL TYP: OMIJARKA	CZ TYP: BALÍČÍ STROJ
FR TYPE: BANDEROLEUSE	DK TYPE: VIKLEMASKINE	FI TYYPPI: LAVAKÄÄRINTÄLAITE
ES TIPO: ENFARDADORA		PT TYPE: ENVOLVEDOR

IT MODELLO	RU МОДЕЛЬ	SE MODELL
EN MODEL	HU MODELL	NL MODEL
DE MODELL	PL MODEL	CZ MODEL
FR MODÈLE	DK MODEL	FI MALLI
ES MODELO		PT MODELO

IT MATRICOLA	RU СЕРИЙНЫЙ НОМЕР	SE SERIENUMMER
EN SERIAL NUMBER	HU SZERELÉSI SZÁMA	NL SERIENUMMER
DE SERIENNUMMER	PL NUMER FABRYCZNY	CZ SÉRIOVÉ ČÍSLO
FR NUMÉRO DE SÉRIE	DK SERIENUMMER	FI SARJANUMERO
ES N° SERIE		PT N° DE SÉRIE

IT E' CONFORME ALLE DIRETTIVE COMUNITARIE	RU СООТВЕТСТВУЕТ ДИРЕКТИВАМ ЕВРОПЕЙСКОГО СООБЩЕСТВА	SE ÄR TILLVERKAD I ÖVERENSSTÄMMEISE MED GÄLLANDE EU-DIREKTIV
EN IN CONFORMITY WITH THE FOLLOWING DIRECTIVES	HU MEGFELEL A VONATKOZÓ EURÓPAI IRÁNYELVEKNEK	NL CONFORM IS MET COMMUNAUTAIRE RICHTLIJNEN INZAKE
DE IS DEN FOLGENDEN EU-RICHTLINIEN ENTSPRICHT	PL JEST ZGODNA Z ODPOWIEDNIMI DYREKTYWAMI WSPÓLNOTOWYMI	CZ JE V SOULADU S NÁSLEDUJÍCÍ SMĚRNICI
FR EST CONFORME AUX DIRECTIVES COMMUNAUTAIRES RELATIVES AUX	DK ER UDARBEJDET I ÖVERENSSTÄMMEISE MED DE GÆLDENDE EU-DIREKTIVER	FI ON SEURAAVIEN YHTEISÖN DIREKTIVIEN MUKAINEN
ES ES CONFORME A LAS DIRECTIVAS COMUNITARIAS SOBRE		PT ESTÁ EM CONFORMIDADE COM AS DIRETIVASCOMUNITÁRIAS

2006/42/CE

IT E NORME	RU И НОРМЫ	SE OCH STANDARDER
EN AND STANDARDS	HU ÉS NORMÁK	NL EN NORMEN
DE UND NORMEN	PL I NORMY	CZ A NORMY
FR ET NORMES	DK OG STANDARDER	FI JA MÄÄRÄYKSET
ES Y NORMAS		PT E NORMAS

EN ISO 12100:2010

IT DICHIARAZIONE ORIGINALE IN LINGUA ITALIANA.	RU ПЕРЕВОД ОРИГИНАЛА ДЕКЛАРАЦИИ НА ИТАЛЬЯНСКОМ ЯЗЫКЕ.	SE ÖVERSÄTTNING ORIGINALDEKLARATION PÅ ITALIENSKA.
EN TRANSLATION OF ORIGINAL DECLARATION IN ITALIAN.	HU FORDÍTÁS AZ EREDETI NYILATKOZAT OLASZ NYELVŰ.	NL VERTALING VAN DE ORIGINELE VERKLARING IN HET ITALIAANS.
DE ÜBERSETZUNG DER ORIGINALERKLÄRUNG AUF ITALIENISCH.	PL TRANSLACJA ORYGINALNE OŚWIADCZENIE W JEZYKU WŁOSKIM.	CZ PŘEKLAD ORIGINALNÍ PROHLÁŠENÍ V ITALSKÉM JAZYKU.
FR TRADUCTION DES DÉCLARATION ORIGINALE EN LANGUE ITALIENNE.	DK OVERSÆTTELSE ORIGINAL ERKLÆRING PÅ ITALIENSK.	FI KÄÄNNÖS ALKUPERÄINEN ILMOITUS.
ES TRADUCCIÓN DE DECLARACIÓN ORIGINAL ENALIANO.		PT TRADUÇÃO DECLARAÇÃO ORIGINAL EM ITALIANO.

IT LUOGO E DATA:	RU МЕСТО И ДАТА:	SE ORT OCH DATUM:
EN PLACE AND DATE:	HU KÉLT:	NL PLAATS EN DATUM:
DE ORT UND DATUM:	PL MIEJSCE I DATA:	CZ MÍSTO A DATUM:
FR LIEU ET DATE :	DK DATO OG STED:	FI PAIKKA JA PÄIVÄYS:
ES LUGAR Y FECHA:		PT LOCAL E DATA:

Poggio Torriana

IT IL LEGALE RAPPRESENTANTE (ANGELO FORNI)	RU ЮРИДИЧЕСКИЙ ПРЕДСТАВИТЕЛЬ (АНГЕЛО FORNI)	SE JURIDISK OMBUD (ANGELO FORNI)
EN LEGAL REPRESENTATIVE (ANGELOFORNI)	HU A TÖRVÉNYES KÉPVISELŐ (ANGELOFORNI)	NL DE WETTELIJKE VERTEGENWOORDIGER(ANGELO FORNI)
DE GESETZLICHER VERTRETER (ANGELO FORNI)	PL PRZEDSTAWICIEL USTAWOWY (ANGELOFORNI)	CZ PRÁVNÍ ZÁSTUPCE (ANGELO FORNI)
FR LE REPRÉSENTANT LÉGAL (ANGELO FORNI)	DK DEN ADMINISTRERENDE DIREKTØR (ANGELO FORNI)	FI LAILLINEN EDUSTAJA (ANGELO FORNI)
ES EL REPRESENTANTE LEGAL (ANGELO FORNI)		PT O REPRESENTANTE LEGAL (ANGELO FORNI)

ATLANTA STRETCH S.p.a.

1 FOREWORD

1.1 HOW TO READ AND USE THE INSTRUCTIONS MANUAL

1.1.1 THE IMPORTANCE OF THE MANUAL

The instruction manual is to be considered as an integral part of the product; keep it and look after it throughout the lifetime of the machine and hand it on to any other users or subsequent owners.

All the instructions contained in the manual must be followed by both operators and qualified staff in order to correctly and safely install, start, use and service the machine.

In the event of doubts or problems, contact the technical service centres.

1.1.2 SAFE KEEPING THE MANUAL

Use the manual in such a way as not to damage all or part of the contents.

On no account should any parts of this manual be removed, torn out or rewritten.

Keep the manual in places protected from humidity and heat.

Keep this manual and all the related publications in an accessible place known to all the operators.

All use and maintenance operations concerning commercial machine components that are not indicated in this manual are contained in the relative publications attached to it.

1.1.3 CONSULTING THE MANUAL

This instruction manual is made up of:

- COVER WITH MACHINE IDENTIFICATION
- INSTALLATION AND ASSEMBLAGE
- INSTRUCTIONS AND/OR NOTES ON SAFETY USE OF THE PRODUCT
- ATTACHMENTS

1.1.4 COPYRIGHT

This manual contains confidential industrial information belonging to MANUFACTURER.

All rights are reserved and may be protected by copyright or other ownership laws and treaties.

No part of this manual may be reproduced in any form or by any means without explicit permission from MANUFACTURER.

1.1.5 INFORMATION ON THE IMAGES AND CONTENTS

The illustrations in this manual have been included solely by way of example for better understanding of what is described.

This document may be subject to change by Manufacturer without prior notice, but the information on safe use is still guaranteed.

1.1.6 UPDATE OF THE INSTRUCTION MANUAL

The essential features of the type of machine described being understood, Manufacturer reserves the right to make any modifications to the devices, details and accessories as it sees fit for product improvement or for construction or commercial requirements.

1.1.7 SYMBOLS – MEANING AND USE

Typographic messages and symbols are used in this manual to refer to particular procedures which, if not observed, could cause damage to people, animals, things and the environment.

DANGER



*Indicates a hazard with the risk of mortal injury.
Failure to observe warnings marked by this symbol can lead to a situation of serious risk to the safety of the operator and/or exposed persons.*

WARNING



*Indicates a hazard with the risk of danger to the machine or the product being processed.
Failure to observe warnings marked by this symbol can lead to malfunction or damage to the machine.*

INFORMATION



Indicates notes and advice for practical machine use in the different operating modes.

1.2 WHO THE MANUAL IS FOR



MACHINE OPERATOR:

Operator who, after an appropriate training course in the use of the machine, is able to make the simplest adjustments.



MECHANICAL MAINTENANCE TECHNICIAN:

Qualified technician able to operate the machine like the machine operator and work on the mechanical devices for adjustment, maintenance and repair. The mechanical maintenance technician is not qualified to perform operations on live electrical systems.



MAINTENANCE ELECTRICIAN:

Qualified technician able to operate the machine like the machine operator, make adjustments and work on electrical systems for maintenance and repair.



SPECIALISED TECHNICIAN OF THE MANUFACTURER:

Qualified technician of the manufacturer or his distributor able to operate the machine like the machine operator, work on the mechanical devices and on the electrical system for adjustments, maintenance, repairs and complex operations when agreed with the user.



EXPOSED PERSON:

Any person partially or fully in a hazardous zone.

2 SAFETY

2.1 GENERAL SAFETY INSTRUCTIONS

Before starting work, the operator must be perfectly familiar with the position and functioning of all the controls and machine features. Daily check all the safety devices on the machine.

- Before starting the working cycle, the operator must ensure that there are no EXPOSED PERSONS in the HAZARDOUS ZONES.
- The employer must provide and instigate the use of personal protective equipment conforming to the prescriptions of Directive 89/391/EEC (and subsequent revisions). While using and carrying out maintenance on the machine the use of personal protective equipment (PPE) such as safety footwear and overalls, approved for accident prevention, is obligatory.
- The areas where the operator stands must always be kept clear and free of oily residues.
- It is forbidden to approach the moving parts of the machine, such as the carriage and rotating parts, when the machine is in operation.
- It is strictly prohibited to operate the machine in automatic mode with the fixed and/or mobile safety guards removed.
- It is strictly prohibited to disable the safety devices installed on the machine.
- Any adjustment operations that need to be carried out with some of the safety devices disabled must be performed by one person only, and unauthorised persons may not access the machine during this time.
- The room in which the machine is housed must not have any shadow areas, annoying bright lights or hazardous stroboscopic effects caused by the lighting supplied.
- The machine can operate in clear air conditions at ambient temperatures of +5°C to +40°C.
- The machine must be used exclusively by qualified personnel.

DANGER

THE MACHINE MUST ONLY BE USED BY ONE OPERATOR AT A TIME, USE OF THE MACHINE BY 2 OR MORE OPERATORS AT THE SAME TIME IS FORBIDDEN.

DANGER

DO NOT REMOVE THE FIXED GUARDS WHEN THE MACHINE IS RUNNING. ALWAYS REFIT THE FIXED GUARDS AFTER ANY MAINTENANCE OPERATION.

As soon as possible after an operation that required disabling of some safety devices, the machine must be restored to a safe state by re-enabling all the safety devices.

Do not for any reason modify parts of the machine (e.g. attachments, holes, finishes, etc.) in order to adapt it to other devices. We therefore advise you to request any modifications directly from the Manufacturer.

2.2 SAFETY SIGNS

» See Picture 1 - pag. 9

The safety signs described in this manual, are located on the machine structure at suitable points and warn of the likelihood of danger due to residual risks.

The adhesive stickers, distinguished by yellow and black bands, warn of areas of risk for operators and so maximum care must be taken where these signs are located.

The adhesive stickers applied to the machine must always be kept clean and legible.



- Danger of crushing hands and feet.



- It is forbidden to remove fixed safety guards.



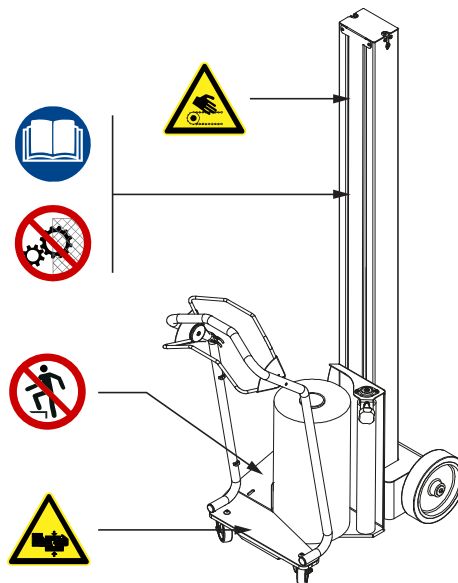
- It is forbidden to climb on the machine



- It is obligatory to read the instruction manual carefully before operating the machine.



- Finger crushing hazard due to moving parts.



Picture 1

2.3 WARNINGS OF RESIDUAL RISKS

The machine has been designed and constructed in such a way as to allow the operator to use it safely, eliminating or cutting down to the minimum the possible residual risks by the adoption of safety devices. It has not been possible however to eliminate some risks, listed below, because these are inherent in the way the machine works.

DANGER



RISK OF GETTING CRUSHED

When handling the machine manually when it is lowered to the ground to repair faults, there is a risk of impact and being crushed between the ground and the column. Carry out this operation slowly.

DANGER



RISK OF GETTING CRUSHED

When handling the machine, pay special attention to reverse movements in order to avoid the risk of impact and crushing.

DANGER



RISK OF GETTING CRUSHED

Do not remain in or pass through the carriage movement area. In the lowering phase there is the risk of impact and being crushed between the carriage and the ground.

2.4 SAFETY DEVICES

DANGER



The machine has been designed and constructed to allow safe use in all the conditions intended by the manufacturer, isolating the moving parts and live components by the use of SAFETY GUARDS and SAFETY devices to stop the machine.

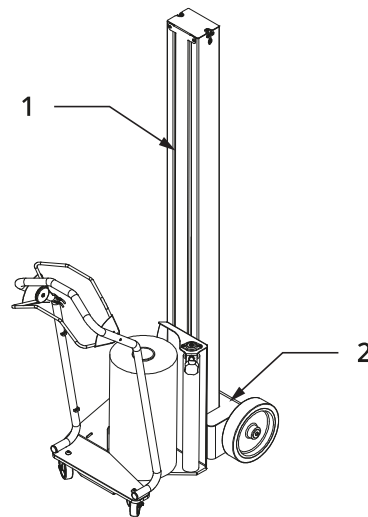
The manufacturer declines all responsibility for damage or injury to persons, animals or objects caused by tampering with the safety devices.

» See Picture 2 - pag. 11

The machine is equipped with safety protections necessary to prevent damaging the machine or injuring operators.

The following guards are fitted on the machine:

- Fixed guard **(1)** to protect the components that drive the vertical sliding of the carriage (chains and pinions).
- Fixed guard **(2)** to protect the drive components that transfer the rotary motion of the front wheels to the vertical movement transmission (pinions, chains, couplings).
- The carriage features 2 limiters that reduce speed at the ends of the stroke in the relevant vertical movement.
- To prevent the carriage descends in an uncontrolled manner, the front left wheel features a very long support so that the front traction is more skewed on the right wheel. This principle reduces the chances that the front right wheel loses grip and causes the uncontrolled descent of the carriage.



Picture 2

2.5 PERSONAL PROTECTIVE EQUIPMENT (PPE)

The following personal protective devices are necessary for handling, installation, use, maintenance, and dismantling.



- Compulsory use of gloves.



- Safety shoes required.



- Protective clothing required.



- Compulsory use of helmet.
-

2.6 TECHNICAL ASSISTANCE

For any orders, assistance or information, the user should contact the Manufacturer quoting the following details:

- Machine model
- Serial number
- Year of manufacture
- Purchase date
- Approximate number of service hours
- Detailed indications regarding a specific operation to be carried out or the fault found.

TECHNICAL ASSISTANCE

see COVER WITH MACHINE IDENTIFICATION

Best performance of our machines can only be maintained and guaranteed if original spare parts are used.

3 MACHINE DESCRIPTION

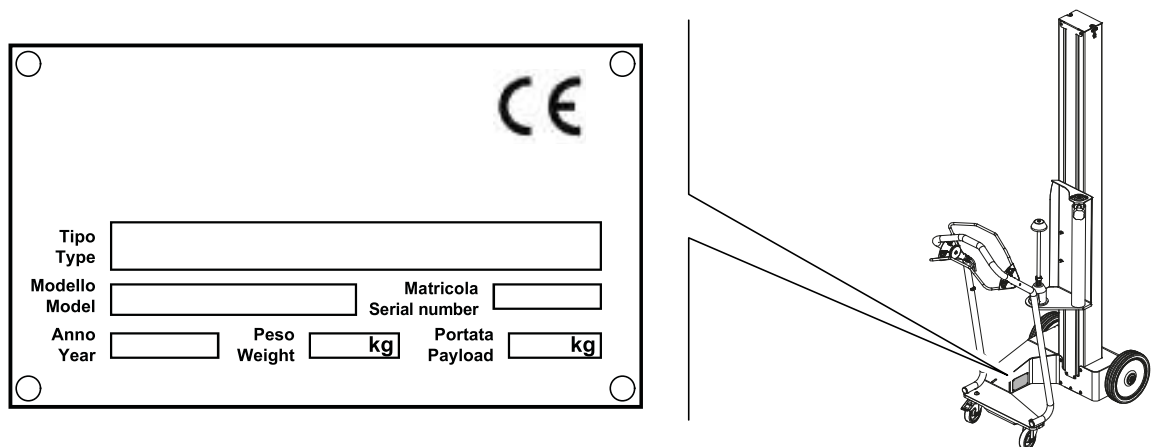
3.1 MANUFACTURER AND MACHINE IDENTIFICATION DATA

see **COVER WITH MACHINE IDENTIFICATION**

The Identification plate, fixed to the machine chassis, shows the following information:

- Manufacturer's name and address
- Machine type
- Machine model
- Serial number
- Year of manufacture
- Weight (kg)
- Nominal voltage (Un)
- Operating frequency (Hz)

» See Picture 3 - pag. 13



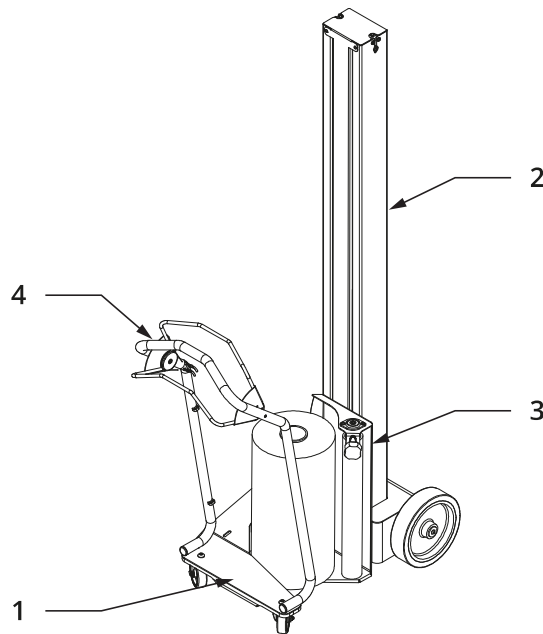
Picture 3

3.2 GENERAL DESCRIPTION

The wrapper is a manually operated machine designed for wrapping and stabilising palletised loads using a stretch film. The **standard** machine is comprised of the following parts:

» See Picture 4 - pag. 14

- 1) **Base:** enclosure to protect the kinematic mechanism for moving the carriage up and down and providing support to all the units. The base features 4 wheels: 2 rear idle wheels that can also rotate around their vertical axis plus 2 front wheels- an idle one and the other connected directly to the mechanism that moves the carriage up.
- 2) **Column:** structural element to contain the chains that transfer motion to the carriage.
- 3) **Carriage:** carriage that dispenses film during the wrapping procedure while adjusting film application tension. The tension is adjusted by means of a roller with a mechanic brake that can be manually adjusted by means of a knob on the carriage.
- 4) **Handle:** Used to manually move the machine around the material to be wrapped. The handle has a lever to enable/disable the mechanism to move the carriage.



Picture 4

3.3 ROLL-HOLDER CARRIAGE

FM (MB) carriage

» See Picture 5 - pag. 15

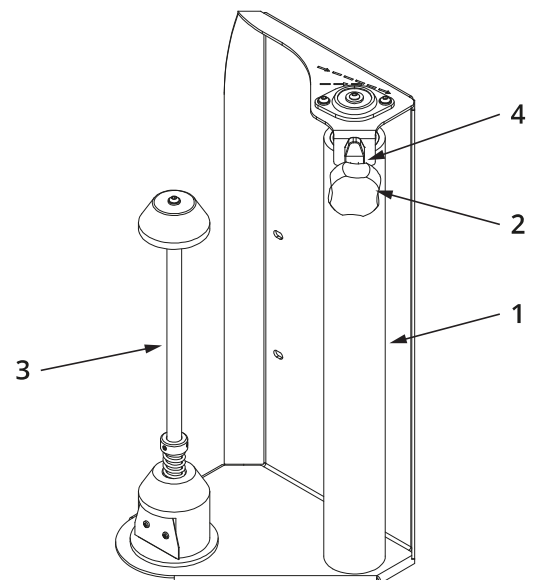
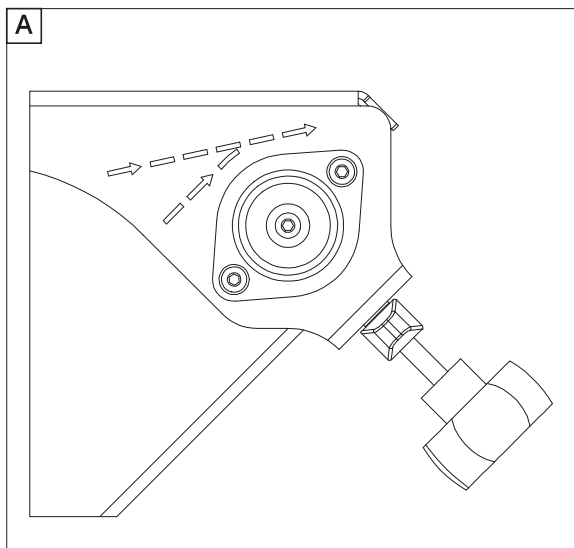
With this carriage version, the application tension of the film on the pallet can be adjusted.

The **FM (MB)** carriage is made up of a rubber roller **(1)** equipped with an mechanic brake.

The knob **(2)** is used to adjust the action of the brake and, consequently, the tension of the film.

Upon starting, the film must be loaded onto the carriage:

- Put the carriage into the Down position to make fitting the roll easier.
- Push the roll onto the centre pin **(3)**.
- Insert the film between the rollers following the path indicated in figure **(A)**.
- Diagram **(A)** is stamped onto the carriage.
- Tightening the knob **(2)** increases the tension of the film, loosening decreases it. Once the proper adjustment has been found, the position of the knob **(2)** is set by tightening the lock nut **(4)**.



Picture 5

3.4 INTENDED USE - PROPER USE - PURPOSE

The wrapping machine, has been designed and constructed for wrapping various types of products stacked on pallets with stretch film, in order to stabilise the package and to protect it from damp and dust during transport and storage.

The mobile wrapper is moved manually around the palletised loads by the operator in charge. Keep the control lever pushed forward and the carriage moves gradually upwards as much as the distance travelled by the machine and up to the maximum height set by the physical limits of the column. The carriage stops at the high position automatically. At the end of the wrapping process, the operator in charge must cut the stretch film to close and finish the wrapping.

Working limitations

The machine must be used by only one operator at a time.

The floor at the place where the machine is used must be regular and uniform, with a maximum allowed slope of 1%.

The machine must not be used in places subject to weather and the elements.

Stretch film

Use a film of specification suitable for the type of carriage available and for the type of packaging application for which the machine was intended; always evaluate the choice of film in relation to its safety sheet.

Use a perforated film if the wrapped products require ventilation otherwise they will generate condensation (fresh organic products: fruit, vegetables, plants, etc...).

Use a blackout film for the protection of light-sensitive products.

3.5 UNINTENDED AND UNAUTHORISED USE - FORESEEABLE AND UNFORESEEABLE IMPROPER USE

Use of the pallet wrapping machine for unauthorised purposes, its improper use and lack of maintenance can lead to the risk of serious danger to health and safety of operators and exposed persons, as well as affecting the working efficiency and safety of the machine.

The following is a list of some possible, reasonably more foreseeable, examples of "bad usage" of the machine.

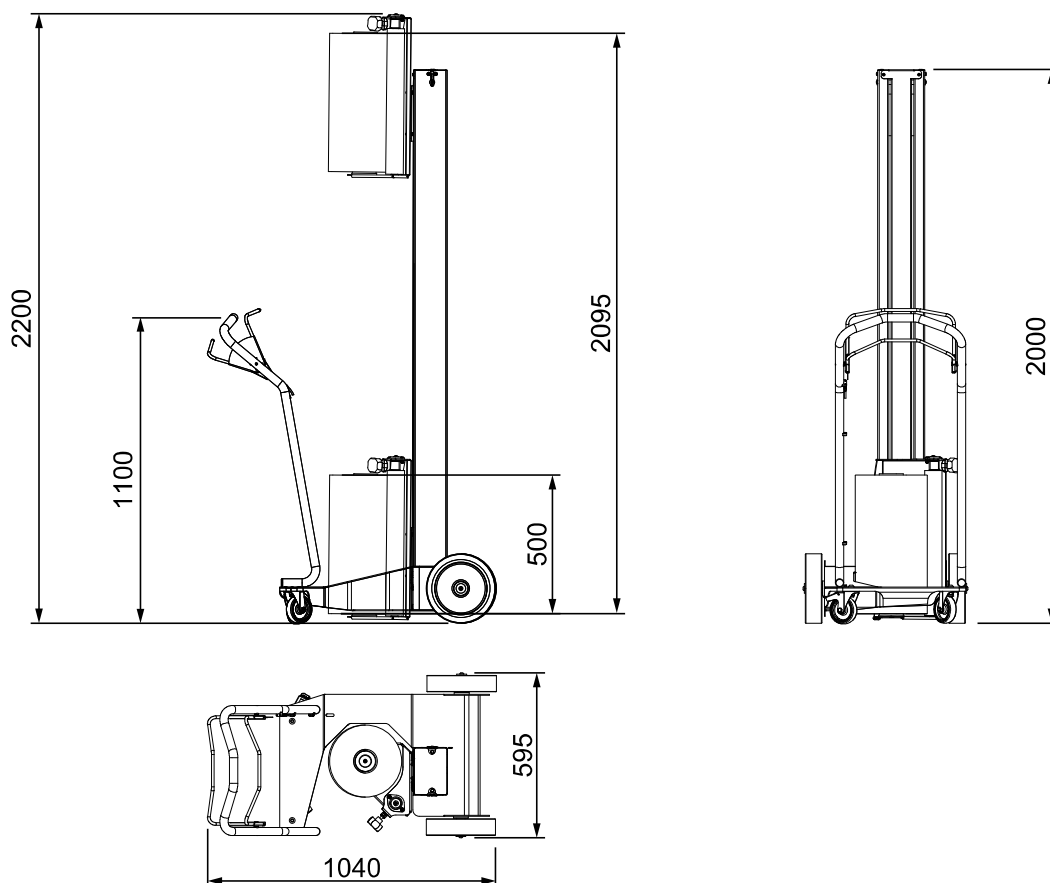
- NEVER start the work cycle when there is anyone in the immediate vicinity of the machine.
- NEVER allow the machine to be used by unauthorised persons or by minors under the age of 16.
- NEVER leave the control station during the working process.
- NEVER load onto the machine containers that have toxic, corrosive, explosive or flammable products.
- NEVER use the machine outdoors or under not permitted environmental conditions.
- NEVER use the machine for operations other than its intended use.
- NEVER use the machine in a constructional configuration other than that specified by the Manufacturer.
- NEVER must more than one operator operate the equipment simultaneously.
- NEVER integrate other systems and/or equipment not foreseen by the Manufacturer's final design.
- NEVER use the machine without guards or with guards that have been tampered with.
- NEVER use commercial devices for any purpose other than that foreseen by the Manufacturer.

3.6 TECHNICAL DATA AND NOISE

- Overall dimensions See Picture 6 - pag. 18
- Net weight of machine body 74 kg
- Stretch film 17/30 μm
- Roll-holder tube inside \varnothing 76 mm
- Roll height 500 mm
- Maximum roll weight 16 kg
- Carriage speed: proportional to the forward travel speed of the operator

Noise

In observance of annex 1 of machine directive 2006/42/EC, the manufacturer declares that the noise emitted by the machine in question falls within the limits established by the above mentioned regulations 70 dB(A).



Picture 6

3.7 WORK AND CONTROL STATIONS

3.7.1 MAIN WORK STATION

» See Picture 7 - pag. 19

The machine is designed so that the main operator's position is to be standing before the handle **(A)**. The handle is fitted onto the frame of the machine, and features a grip and a control lever to move the carriage vertically. The devices installed on the handle are easy to reach.

The operator's position is outside the danger zones.

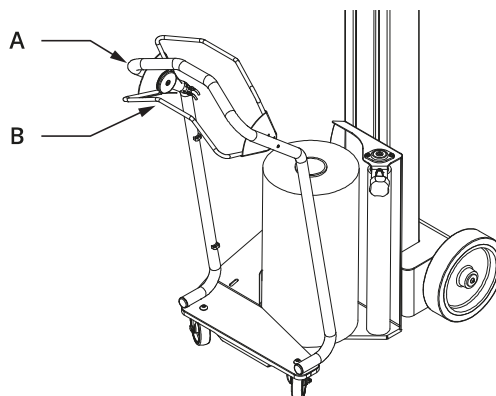
3.7.2 HUMAN-MACHINE INTERFACE

» See Picture 7 - pag. 19

Control lever **(B)** is fitted to the handle of the machine and features a dedicated local identification of the associated functions as icons stamped onto the sides of the lever itself. The shape, dimensions and physical setup of the control devices used (coupling lever for the mechanism to move the carriage manually) are sufficient to guarantee the correct use of the equipment by the operator. The control components are positioned far from any danger zone, and their ground clearances are such that the operator can access them easily and effortlessly. They have been chosen and installed in such a manner that the risk of unintentional manoeuvres is minimised.

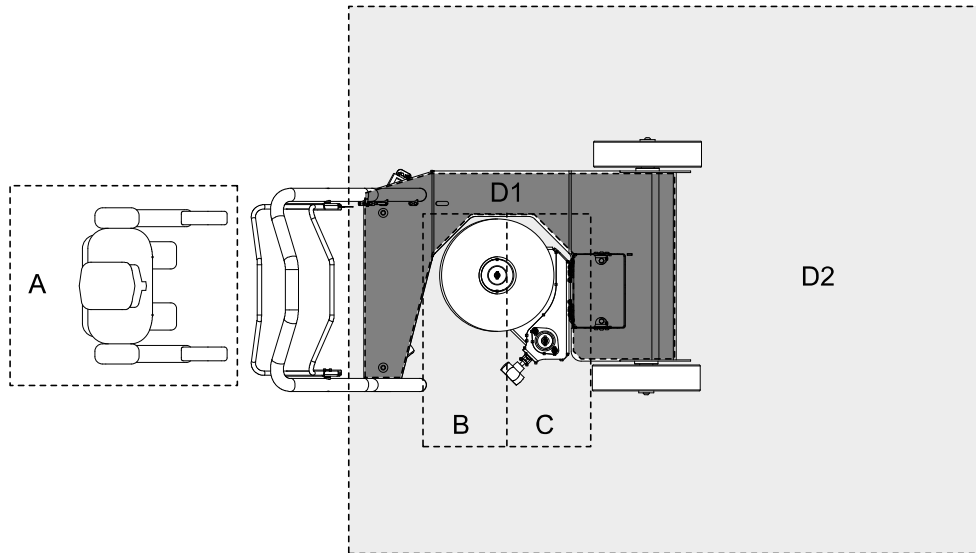
They have been chosen to withstand all foreseeable stresses while the machine is used.

The control devices are efficiently operated only via voluntary actions so that undesired operations and dangerous situations for the operator are avoided.



Picture 7

3.7.3 WORK AREAS



Picture 8

STATION A - Control area

It must be occupied by the operator to carry out the work cycle.

It is the station from where the operator starts and stops the machine, and changes the machine working modes. It also allows visual surveillance of the work cycle.

STATION B - Work area

In the work area the operator carries out the following operations:

- attaches the film to a corner of the pallet to start the work cycle;
- cuts the film at the end of the work cycle.

DANGER



To attaching and cut the film, the machine must be at a standstill.

» See Picture 8 - pag. 20

STATION C - maintenance area

In the maintenance area the operator carries out the following operations:

- changes the film roll;
- adjusts the film tension, if mounted on the carriage.

WARNING



The carriage must be fully down and the machine at a standstill for all the operations to be carried out at position 'C'.

DANGER



IT IS PROHIBITED TO CROSS THE INTERNAL 'D1' AREA OF THE MACHINE AND THE 'D2' AREA SURROUNDING IT.

4 TRANSPORT-HANDLING-STORAGE

4.1 PACKING AND UNPACKING

The machine is shipped.

Upon receipt, check that the packaging has not been damaged during transport or that it has not been tampered with and parts removed. Move the packed machine as close as possible to the place of installation and start unpacking, carefully checking that the supply corresponds to the order specifications.

DANGER



The lifting and transport means must be chosen based on the size, weight and shape of the machine and its components. The capacity of the lifting equipment must be greater (with a safety margin) than the weight of the components to be transported.

N.B.: If damaged or missing parts are found, immediately notify Customer Service and the carrier, providing photographic documentation.

Make sure that no small parts are left in the packaging.

Make a detailed examination of the general conditions of the machine.

The various packing materials must be disposed of in accordance with current environmental protection regulations.

WARNING



During unloading and handling operations, an assistant must be on hand to give any necessary directions during transport.

WARNING



THE MANUFACTURER declines all responsibility for damage caused by incorrect operations, unqualified personnel or the use of unsuitable means.

4.2 TRANSPORTING AND HANDLING THE PACKED MACHINE

WARNING



EXCLUSIVELY use a forklift truck of adequate capacity to lift and transport the PACKED machine. USING ANY OTHER SYSTEM WILL NULLIFY THE WARRANTY FOR ANY DAMAGE CAUSED TO THE MACHINE.

INFORMATION



THE WEIGHT OF THE PACKAGING IS GENERALLY INDICATED ON THE OUTSIDE.

DANGER

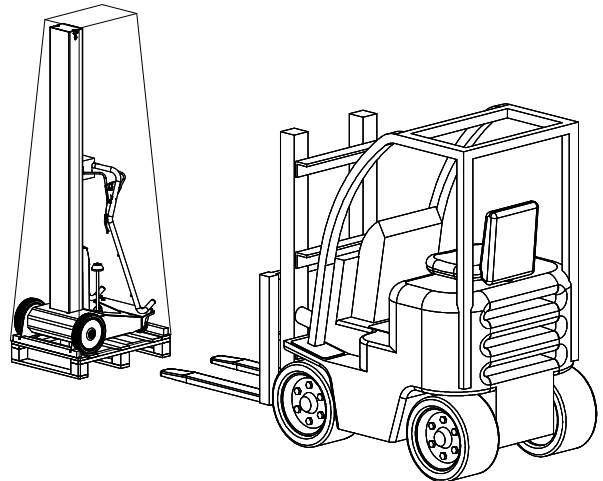


ALWAYS CHECK BEFORE ANY OPERATION THAT THERE ARE NO EXPOSED PERSONS IN HAZARDOUS ZONES (IN THIS CASE THE ENTIRE ZONE AROUND THE MACHINE PARTS IS TO BE CONSIDERED A HAZARDOUS ZONE).

Package dimensions: 800x600x2200 mm

Package weight: 90 kg

* STD machine



Picture 9

4.3 STORAGE OF PACKED AND UNPACKED MACHINE

In the event of long periods of inactivity, the customer must check the place where the machine is positioned and ensure that the storage conditions are suitable.

If the machine is not used and stored in a place according to the technical specifications, the sliding parts must be greased. In case of doubt, contact Customer Service.

The manufacturer declines all responsibility if the user does not specify or request the above information.

5 INSTALLATION

5.1 PERMITTED AMBIENT CONDITIONS

Temperature:

For regular operation of the machine, the ambient temperature must be between +5°C and +45°C.

Atmospheric conditions:

Relative humidity not greater than 50% at a temperature of 40°C and 90% at a temperature not over 20°C (without condensation). If the atmospheric conditions are not suitable for machine operation, the Manufacturer can, on request, provide solutions to remedy the problem (e.g. air conditioners, thermostatic heating elements, etc.).

Lighting:

Minimum necessary and indispensable illumination: 300-500 lux.

DANGER



The standard machine is not designed or set up for operation in places with an explosive atmosphere or risk of fire.

5.2 POSITIONING THE MACHINE

5.2.1 STANDARD MACHINE

In its standard version, the machine is dispatched as follows:

- With handle not fitted.

No particular preparation is required for the surface on which the machine is to stand. The surface must be smooth and flat in all directions (maximum slope 1%) and solid enough to support the fully-laden weight of the machine.

Fit back the handle and assemble the parts not fitted.

5.3 ASSEMBLY OF MACHINERY

» See Picture 10 - pag. 26

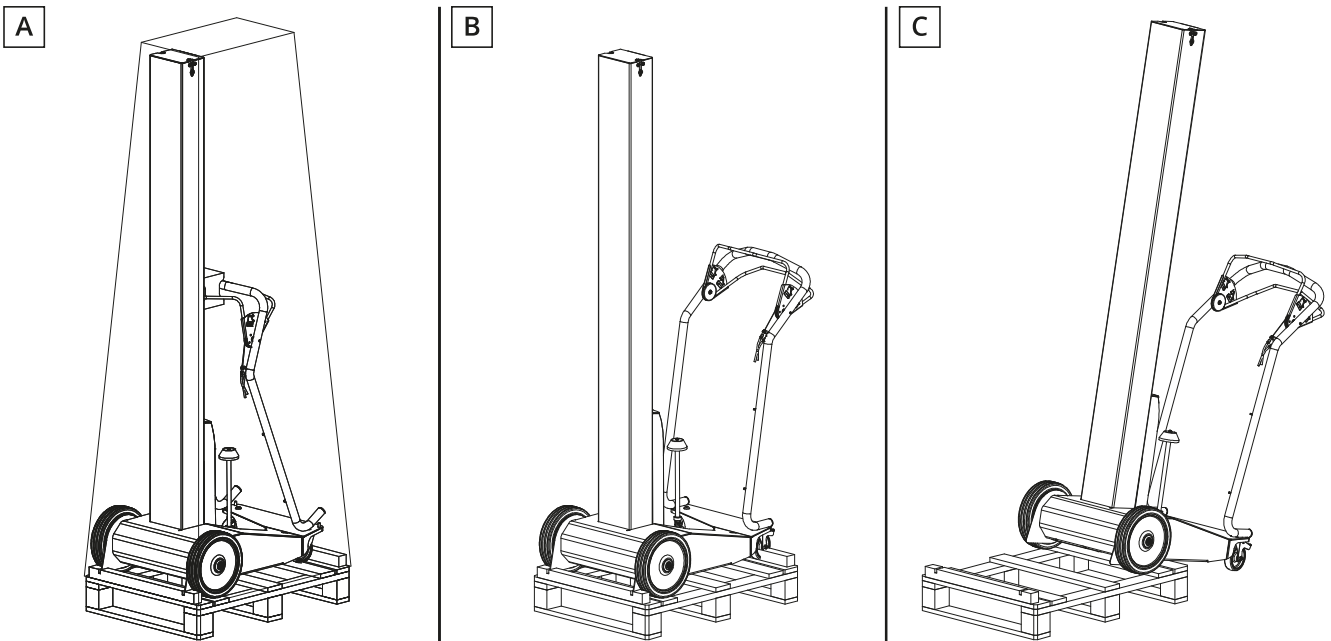
Operate as follows:

- A) Remove the packaging of the machine.
- B) Secure the handle with the screws supplied together with the machine. Release the brake that blocks the wheels.
- C) Make the machine descend from the supporting pallet using the wheels.

WARNING



If all the equipment necessary for the correct handling of the machine cannot be found, the operator must contact the Manufacturer in order to avoid jeopardising the operator's health and/or that of persons as well as damaging the machine.



Picture 10

6 STARTING UP THE MACHINE

6.1 MACHINE CONTROLS

- 1) **Manual lever** to ascend/descend the carriage:

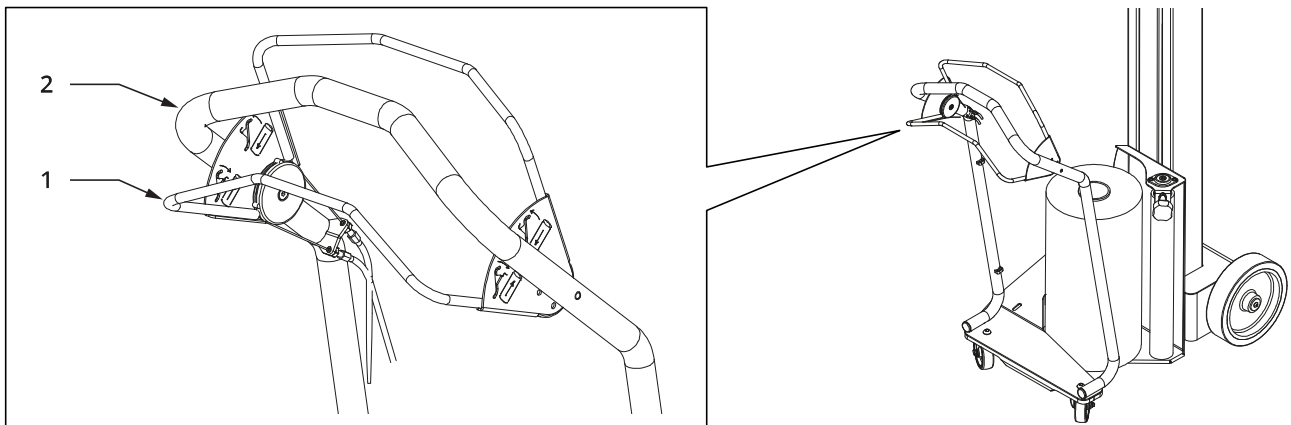
The control lever is fitted to the handle of the machine and features a dedicated local identification of the associated functions as icons stamped onto the sides of the lever itself:

- Lever forward: carriage up.
- Lever backward: carriage down.

The control lever is efficiently operated only via voluntary actions so that undesired operations and dangerous situations for the operator are avoided.

- 2) **Handle** (manual bar) to move the machine (translation) manually.

Undesired operations and dangerous situations for the operator are avoided only by performing voluntary actions.



Picture 11

6.2 INSTRUCTIONS FOR USE

6.2.1 LOADING A ROLL OF FILM

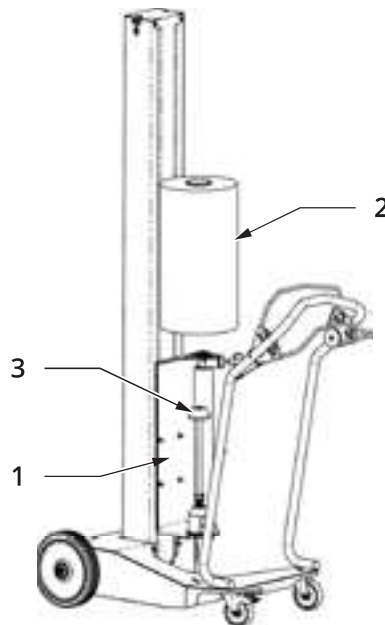
» See Picture 12 - pag. 28

- A) Put the carriage (1) into the Down position to make fitting the roll easier.
- B) Stop the machine by using the parking brake.
- C) Insert roll (2) in the roll-holder shaft (3).
- D) Unwind the film and thread it behind the roll.

DANGER



When loading the roll of film, the machine must be at a standstill and the carriage must be down in order to avoid any risk of impact, crushing and shearing due to the operator touching the moving parts of the machine (carriage).

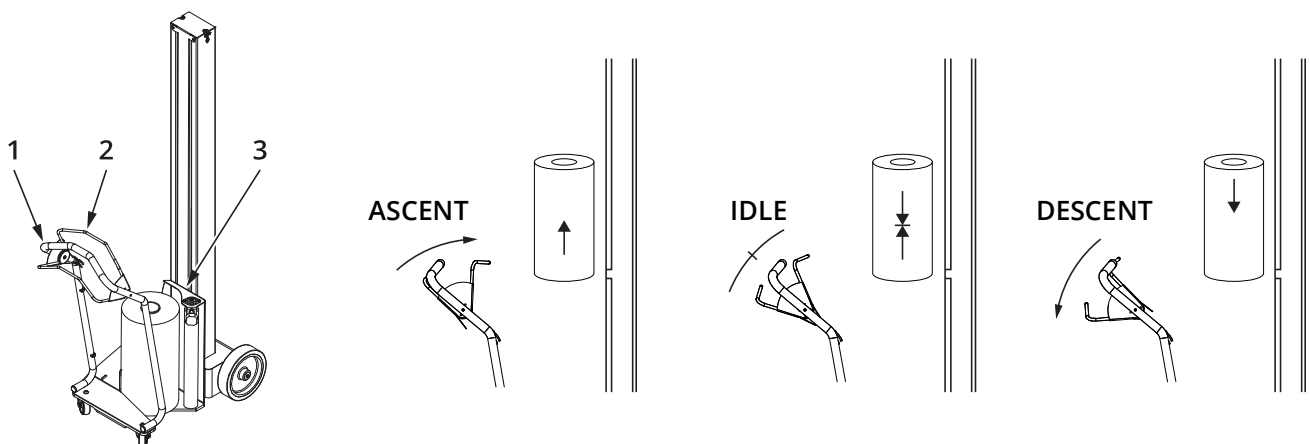


Picture 12

6.2.2 MACHINE USE

» See Picture 13 - pag. 29

- At the beginning of the cycle, bring the machine close to the product to be wrapped by pushing it via the handle **(1)**; during this approaching stage, do not operate the control lever **(2)**.
- Attach the film to the product to be wrapped and push the machine around the product to start wrapping.
- To perform several reinforcing turns while turning around the pallet, push the machine without operating the control lever **(2)**; the roll-holder carriage **(3)** does not move.
- Once the reinforcing turns are completed, keep on pushing the machine and push the control lever **(2)** forward. The roll-holder carriage **(3)** begins to ascend proportionally to the distance covered and wraps the product upwards in a spiral manner.
- For reinforcing turns at intermediate positions or to increase film overlapping on the product, release the control lever **(2)** and the roll-holder carriage **(3)** stops its travel. To resume the ascent, push the lever **(2)** forward again.
- Once the vertical wrapping of the product or the reinforcing turns at the top of the product are completed, pull the control lever **(2)** backward. The roll-holder carriage **(3)** begins to descend proportionally to the distance covered and wraps the product downwards in a spiral manner.
- Reinforcing turns can be done even at the descent stage, as well as to increase overlapping by releasing the lever **(2)**.
- To resume descent, pull the control lever **(2)** back again and keep it like that until the roll-holder carriage **(3)** reaches the lower limit switch position. Now, release the lever **(2)** and then stop pushing the machine.



Picture 13

» See Picture 13 - pag. 29

All the control operations of the lever **(2)** must be carried out with the machine in motion, without stopping the rotation of the machine around the product.

To reduce overlapping, keep the lever **(2)** activated (pushed forward during ascent and pulled back during descent) and follow a path more distant from the product.

In the same way, to increase overlapping, follow a path closer to the product.

At the two ends of the vertical travel of the roll-holder carriage**(3)** (carriage at the top and carriage at the bottom), a brake is activated to make pushing the machine heavier: this is to alert that the carriage **(3)** has reached those positions for which the control lever **(2)** must be released.

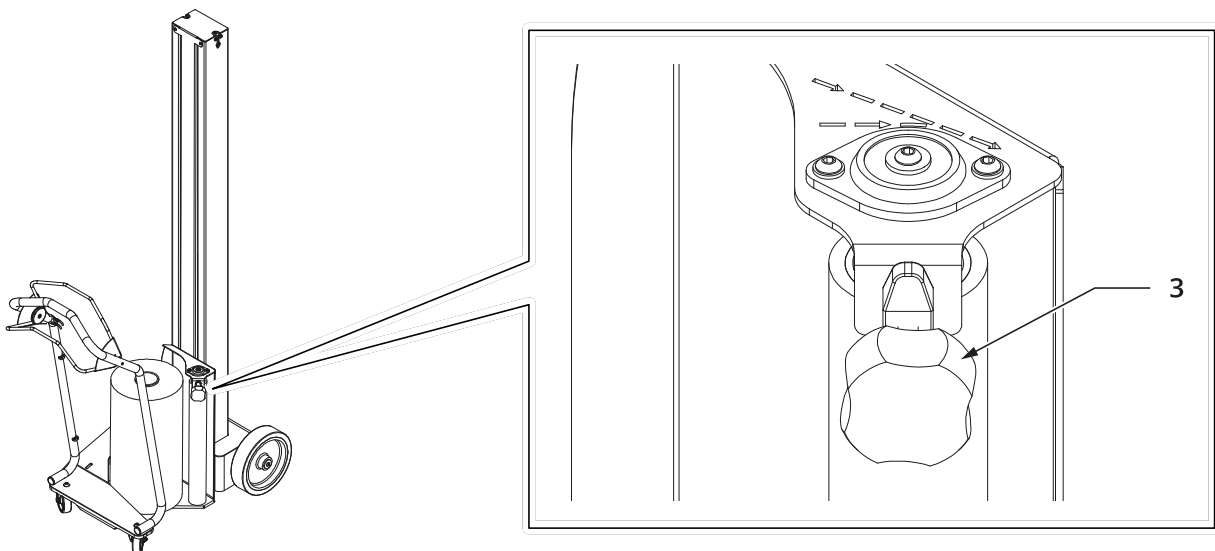
Any time the operator leaves the controls, the roll-holder carriage **(3)** stops its travel right at the point where it is.

6.2.3 ADJUSTMENTS

» See Picture 14 - pag. 30

Use the black knob **(3)** to adjust wrapping film tension:

- Turn it clockwise to increase film tension.
- Turn it anticlockwise to decrease film tension.



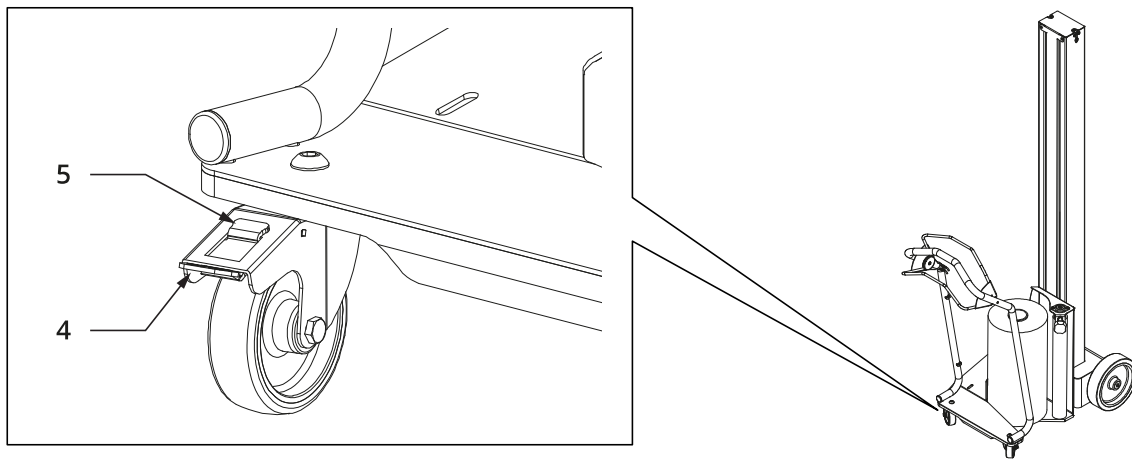
Picture 14

6.2.4 PARKING BRAKE

» See Picture 15 - pag. 31

When the machine is not used, stop it using the brake.

- With the wheel not braked, push the lever **(4)** with your foot to engage the brake.
- With the wheel braked, push the lever **(5)** with your foot to release the brake.



Picture 15

7 MAINTENANCE

7.1 GENERAL PRECAUTIONS

DANGER



Maintenance personnel must act in accordance with the instructions contained in this document and strictly observing the accident prevention regulations set forth by international directives and by the legislation of the country where the machine will be installed.

Additionally, PPE suitable for all maintenance operations must be worn.

WARNING



Maintenance operations that require acting on mechanical parts and/or electrical components must be carried out by qualified technicians.

The operator can only clean and visually check the instruments of the machine.

INFORMATION



All maintenance information refers exclusively to routine maintenance procedures and to works aimed at ensuring that the machine operates correctly on a daily basis. Supplementary maintenance procedures must be carried out by the Manufacturer's specialised technicians.

- Provide sufficient lighting when servicing the machine. If maintenance involves areas that are poorly illuminated, portable lighting devices must be used. Make sure to avoid causing dark cones that prevent or reduce the visibility of the point on which you are going to work or of the surrounding areas.
- Use only original materials when repairing the machine in order to ensure the safety of the machine in any case. The tools available must be suitable for the task to be done. Never use any tool or equipment for a purpose other than that for which they were made.

7.1.1 SPECIAL PRECAUTIONS

When performing maintenance or repair operations, observe the following:

- Before starting work, post a sign "MACHINE UNDER MAINTENANCE" in a well visible position.
- Do not use solvents or flammable materials.
- Take care not to pollute the environment with cooling lubricants.
- Use suitable equipment to access the upper parts of the machine.
- Do not climb onto machine components or guards, as they have not been designed to support the weight of a person.
- After completing the maintenance operations, refit and properly secure all the protection devices and safety guards that have been removed or opened.

7.1.2 CLEANING

Periodically clean the safety guards, particularly the transparent material of the casing, using a damp cloth.

7.2 SCHEDULED MAINTENANCE

This paragraph describes the operations to be carried out periodically in order to ensure proper functioning of the machine.

WARNING



IT IS ESSENTIAL TO SCRUPULOUSLY OBSERVE THE MAINTENANCE OPERATIONS DESCRIBED BELOW IN ORDER TO MAKE THE MACHINE MORE EFFICIENT AND ENSURE A LONGER LIFE.

INFORMATION



IF MACHINE MAINTENANCE IS NOT CARRIED OUT IN COMPLIANCE WITH THE INSTRUCTIONS PROVIDED, THE MANUFACTURER IS RELIEVED OF ALL RESPONSIBILITY FOR MALFUNCTIONING OF THE MACHINE.

7.2.1 DAILY MAINTENANCE

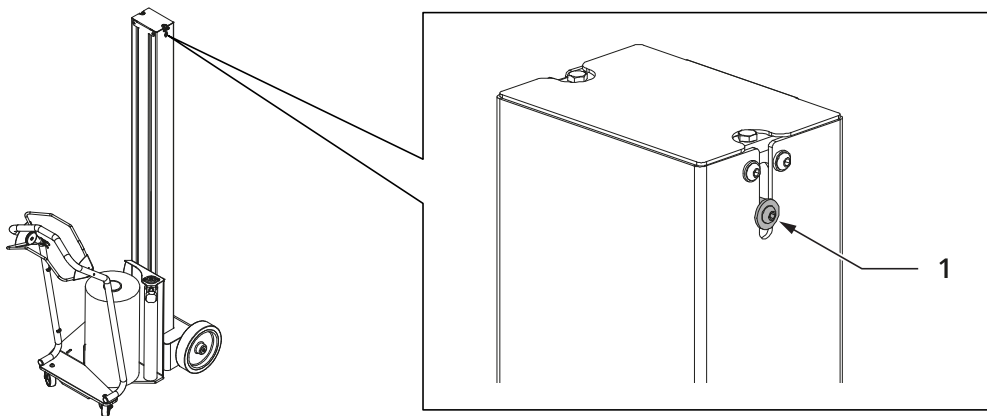
Cleaning. Carefully eliminate all traces of dirt on all the machine surfaces. Use a clean damp cloth.

7.2.2 SIX-MONTHLY MAINTENANCE

7.2.2.1 CHECKING TENSION OF VERTICAL CHAINS

» See Picture 16 - pag. 35

- A) Check the tension of the vertical chains.
- B) If necessary, tension the chains by means of tie-rods at the top of the column **(1)**.

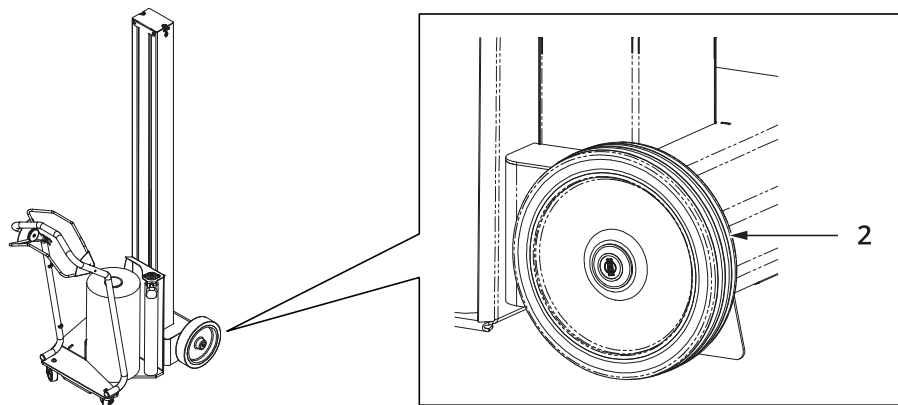


Picture 16

7.2.2.2 CHECKING DRIVE WHEEL TENSION

» See Picture 17 - pag. 35

- A) Check the tension of the chain of the drive wheel **(2)**.
- B) If the chain needs to be tensioned, slide the wheel unit along the slots.



Picture 17

7.2.3 ANNUAL OPERATIONS

7.2.3.1 GREASING COLUMN WALLS

» See Picture 18 - pag. 36

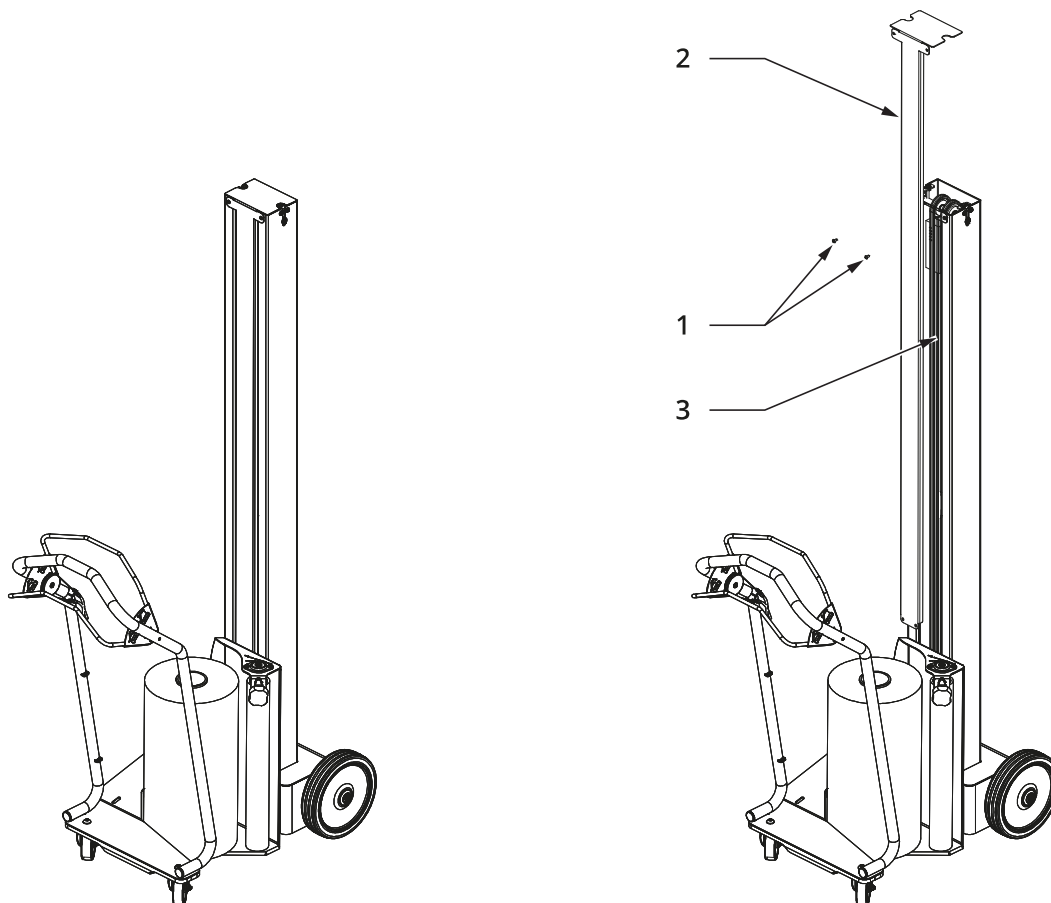
Operate as follows:

- A) Remove locking screws **(1)**.
- B) Remove the casing **(2)**.
- C) Grease the column walls **(3)** along which the wheels of the carriage slide.

INFORMATION



Greasing: use multi-purpose lithium grease.



Picture 18

8 TROUBLESHOOTING

8.1 PERSONNEL AUTHORISED FOR TROUBLESHOOTING

Only the maintenance personnel is authorised to carry out troubleshooting operations.

WARNING



The machine operator is not authorised to work on the machine during the troubleshooting stage.

DANGER



During troubleshooting, unauthorised persons are not authorised to be near the machine.

8.2 SUMMARY TABLE OF FAILURES, TROUBLESHOOTING AND SOLUTIONS

ANOMALIES / FAULTS	POSSIBLE CAUSE	INTERVENTION
The carriage does not ascend or it descend in an uncontrolled manner	Roll too heavy compared to the torque limiter adjustment	Mechanical maintenance technician: Tighten the rings nuts to give more traction

For any failure not shown in the table, contact the Manufacturer's Support Service

8.3 RESET OPERATIONS

» See Picture 19 - pag. 38

If the carriage does not rise or it descends in an uncontrolled manner, proceed as follows to reset the normal operation of the machine:

- A) Engage the break.
- B) Stand facing the machine.
- C) Push one foot against the base.
- D) Grasp the column with both hands; pivot on the wheels until the ribs touch the ground.

E) Accompany the machine slowly until the column rests on the ground.

DANGER



Be careful when handling the machine manually. Carry out this operation slowly.

F) Remove the screws (1).

G) Remove the casing (2).

H) If the carriage descends out of control, tighten the ring nut (3).

I) If the carriage does not ascend, tighten the ring nut (4).

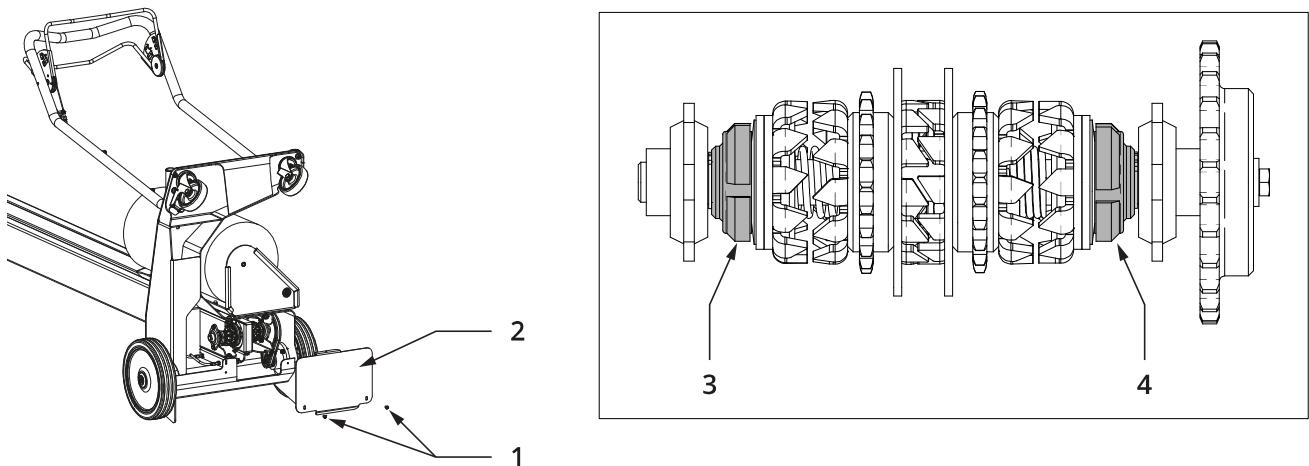
The following tools should be used:

- a 3-mm Allen key;
- a 30 spanner wrench for ring nuts.

WARNING



If the ring nuts are too tightened, the impact of the carriage at the end will be harder and more abrupt than it should.



Picture 19

9 OUT OF SERVICE

9.1 DISMANTLING, SCRAPPING AND DISPOSAL

DANGER



IF THE MACHINE OR ITS COMPONENTS ARE FOUND TO BE NO LONGER SERVICEABLE OR REPAIRABLE BECAUSE THEY ARE BROKEN, WORN OR HAVE COME TO THE END OF THEIR WORKING LIFE, THEY MUST BE DEMOLISHED.

- Demolition must be carried out using suitable equipment, chosen on the basis of the type of material in question.
- All components must be dismantled and scrapped after being broken down into smaller parts, so that none of them can reasonably be used again.
- When the machine is scrapped, its parts must be disposed of in a differentiated manner, taking into account their different types (metal, oil and lubricants, plastic, rubber, etc..) handing them over to collection centres authorised for such purposes and in any case conforming to the applicable laws in force governing the disposal of solid industrial waste.

DANGER



NEVER TRY TO RE-USE MACHINE PARTS OR COMPONENTS THAT MAY STILL APPEAR INTACT ONCE THEY HAVE BEEN DECLARED NO LONGER SERVICEABLE.